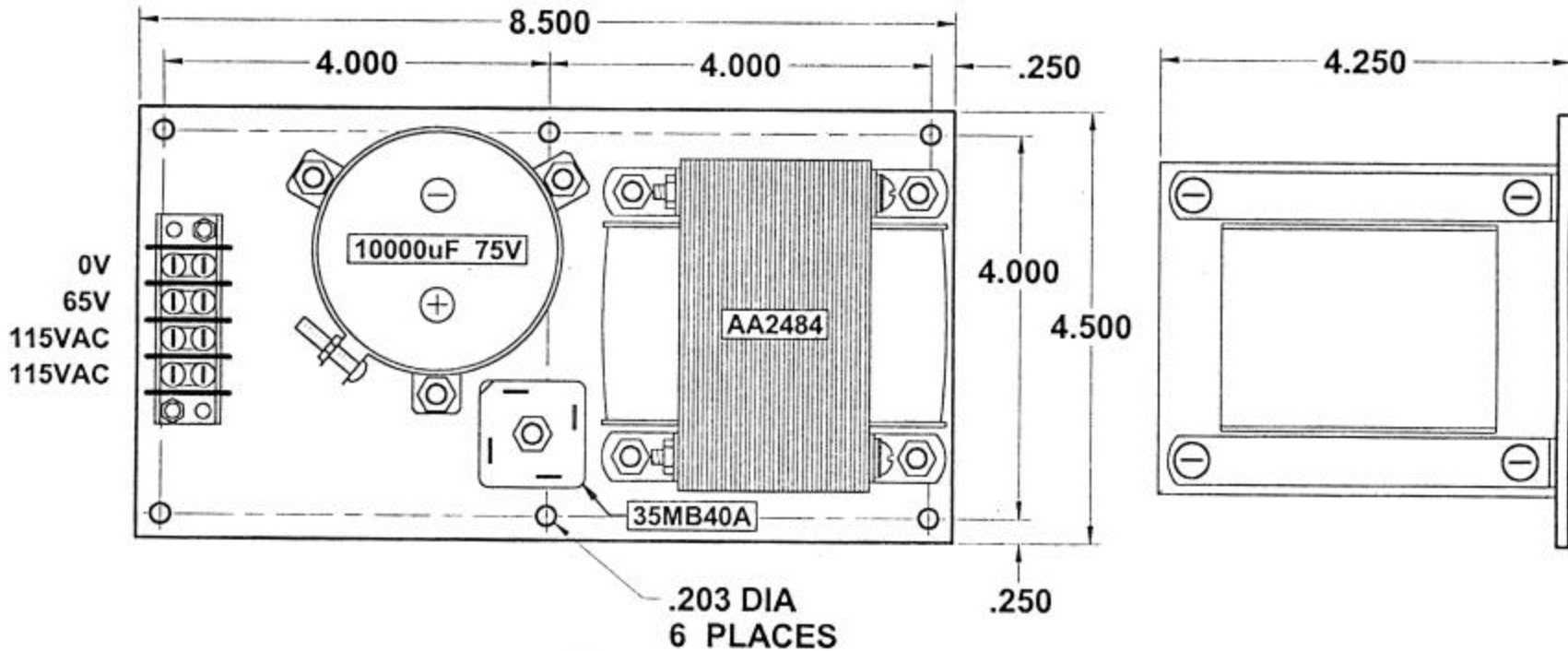


PSA65V5A



SPECIFICATIONS:

+65 VDC output: 5AMPS Absolute Maximum

FUSE RATING:

7 AMP Slow Blow, 3AG